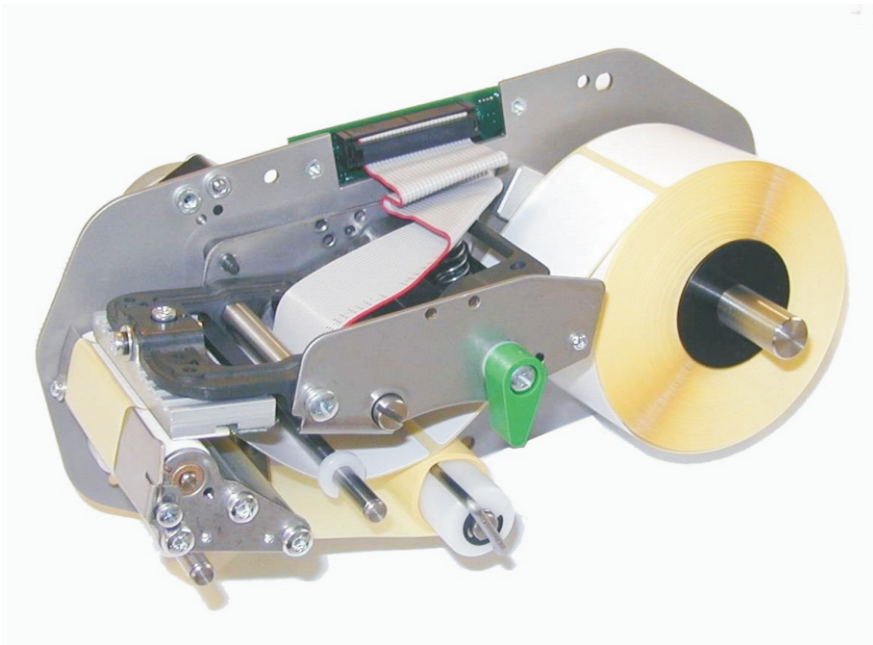




LPM label printer modules Series

A high end printer modules for label applications



Label printer modules
ideal for industrial designs

FEATURES

- Heavy Duty printer mechanism **MODULES** for high speed label applications.
- 2 inch paper width.
- Full APS technical support for the design of printer into your housing.
- High printing speed - up to 130 mm/sec.
- Long Life printer mechanism block of 100 Km.

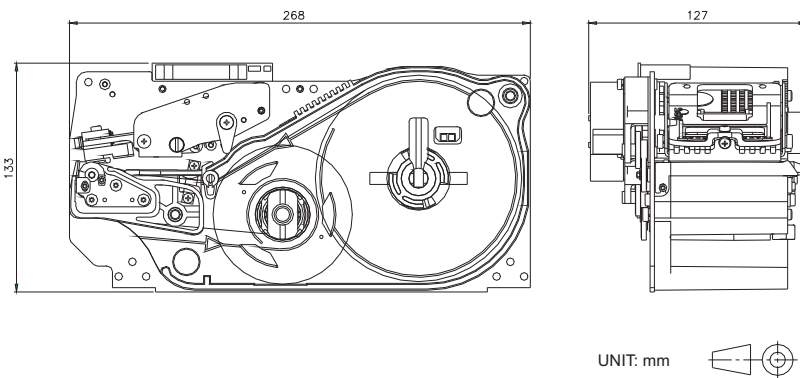
APPLICATIONS

- Label printers.
- Gaming.
- Weighing machines, scales.

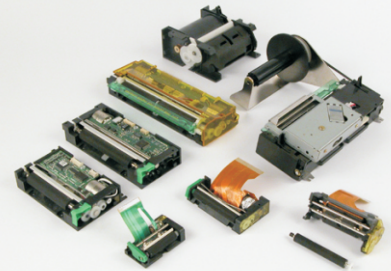


LPM Series

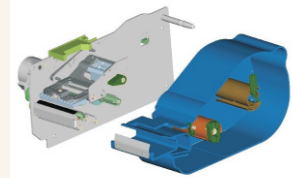
Dimensions referred only to:
LPM2000



OTHER APS PRODUCTS



DRAWER LOADING SYSTEM

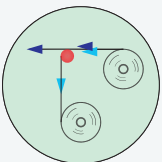


PAPER

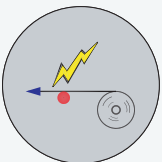


OPTIONS

PEEL OFF PLATE



LABEL PRESENCE SENSOR



SPECIFICATIONS

LPM2300-GP

Print method	Thermal
Number of dots	640
Resolutions (dots/mm)	12
Printing width (mm)	54,2
Paper width (mm)	63
Paper roll diam. max. (mm)	90
Max. paper thickness ()	150
Paper loading	Labels/Paper roll
Printing speed (mm/s)	100
Paper detection	Opto sensor
Temperature detection	Thermistor
Head-up or Cover-open detection	Switch
Voltage range (Logic/Head)	5 ± 5 % / 18-26.5
Dot resistance (Ohm)	1250 ± 3%
Energy per dot (mJ)	0.13
Stepper motor (Ohm)	Bipolar (8)
Weight (g)	1410
Life/reliability	100km/100M pulses
Operating temperature (C°)	0 to 50
Operating humidity (%)	20 to 85 non cond.
Dimensions (WxDxH mm)	268x127x133