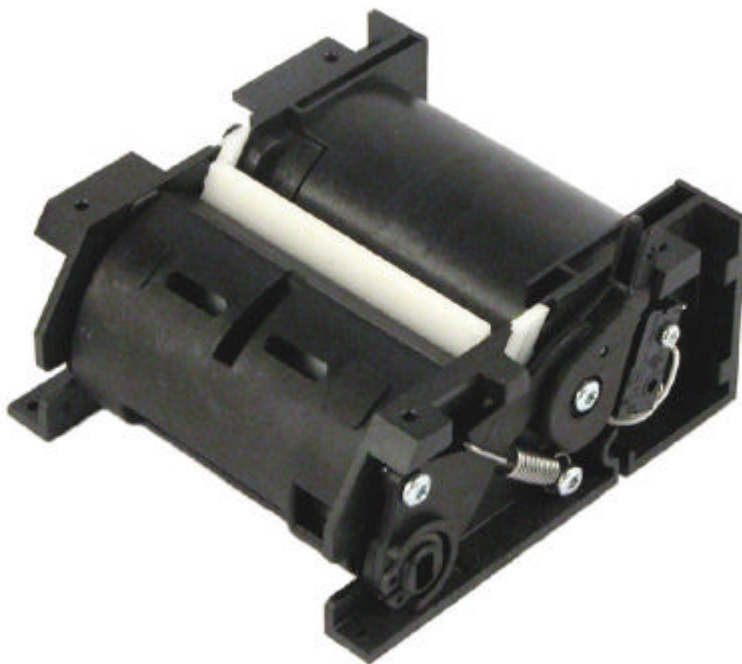




FHP Series

Standard Printer for ECR applications



Heavy duty, low cost,
thermal mechanisms
in 100 and 203 dpi

FEATURES

- 100% Compatible with a popular standard mechanism.
- Long life and reliable (100kms).
- Same footprint for all mechanisms in the series.
- Easy low cost upgrade to higher resolution and print speed.
- Cutter available separately.

APPLICATIONS

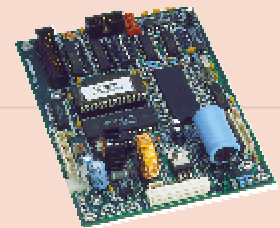
- Cash registers.
- Fiscal printers.
- Gaming.
- Gas (petrol) pumps.
- Measuring instruments and analyzers.
- POS (point of sale).
- Weighing machines, scales.



▶ OTHER APS PRODUCTS



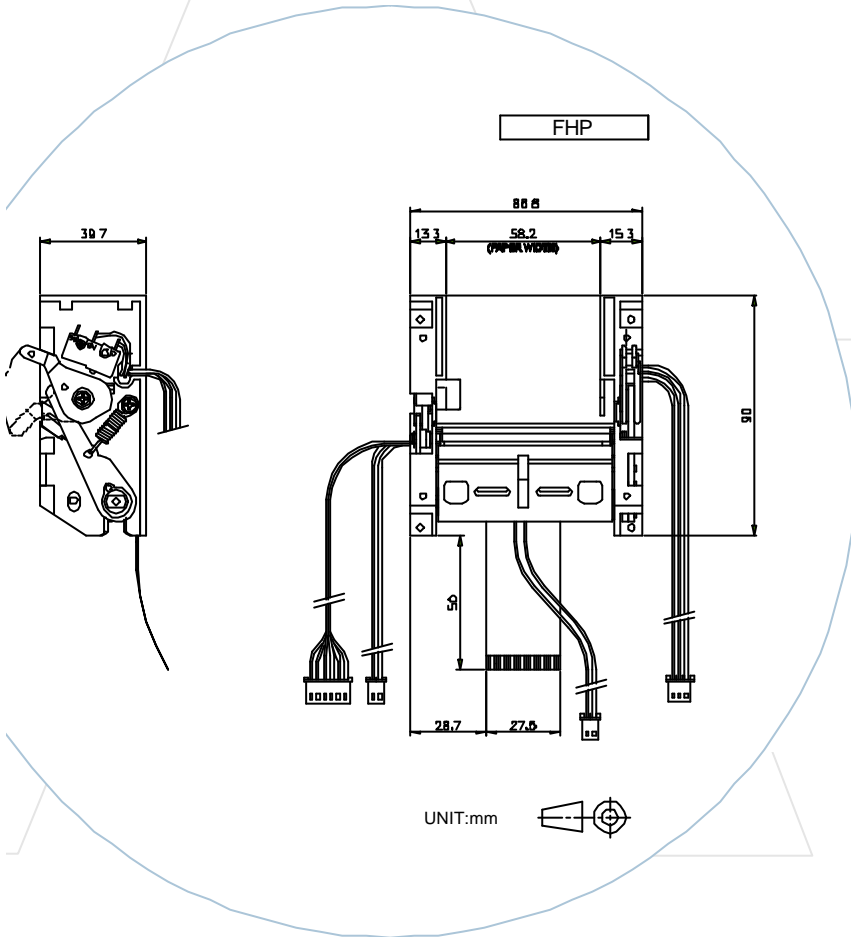
▶ DRIVERBOARD 12V SINGLE POWER SUPPLY WITH CENTRONICS & RS232



▶ PAPER

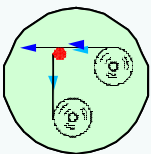


58mm



▶ OPTIONS

PEELOFF PLATE



SPECIFICATIONS	FHP6248
Printmethod	Thermal
Numberofdots	432
Resolutions(dots/mm)	8
Printingwidth(mm)	54
Paperwidth(mm)	58
Max.paperthickness(μ)	150
Paperloading	Automatic
Printingspeed(mm/s)	70
Paperdetection	Optosensor
Temperatredetection	Thermistor
Head-uporCover-opendetection	Switch
Voltagerange(Logic/Head)	5±5%/18-26.5
Dotresistance(Ohm)	1500±3%
Energyperdot(mJ)	0.25
Steppermotor(Ohm)	Unipolar(110)
Weight(g)	200
Life/reliability	100km/100Mpulses
Operatingtemperature(C°)	0to50
Operatinghumidity(%)	20to85noncond.
Dimensions(WxDxHmm)	87x90x40