



EPM 211 Series

Compact bucket printer line



FEATURES

- 2 inches paper width.
- 5 and 24 volts.
- Integrated paper bucket.
- Easy loading paper.
- High print speed - up to 80 mm/s.
- Plug and play capability greatly reduce time-to-market.
- Panel mount version available. Integrated tear-bar.

APPLICATIONS

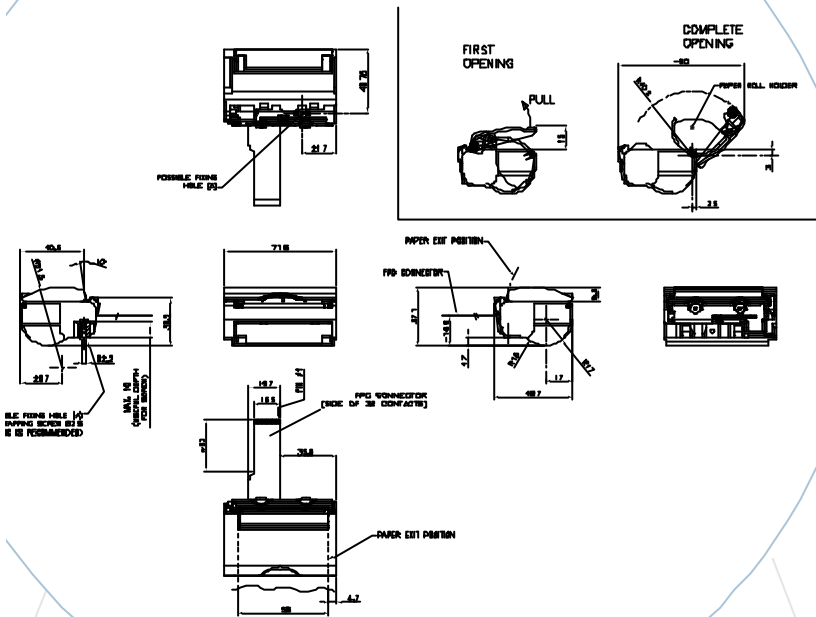
- Portable printers and terminals.
- Hand held terminals.
- Cash registers.
- Fiscal printers.
- Gas (petrol) pumps.
- Measuring instruments and analyzers.
- POS (point of sale).
- EFTs (electronic funds transfer).
- Data terminal devices.
- Medical equipments.
- Weighing machines, scales.
- Taximeters..

New ultra compact bucket mechanism , 58 mm, low voltage for extreme integrations

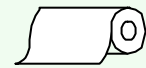
OTHER APS PRODUCTS



EPM211-LV



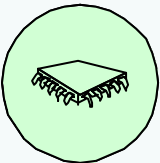
PAPER



58mm

OPTIONS

CHIPSET



SPECIFICATIONS	EPM211-LV	EPM211-HS
Printmethod	Thermal	Thermal
Numberofdots	384	384
Resolutions(dots/mm)	8	8
Printingwidth(mm)	48	48
Paperwidth(mm)	58	58
Max.paperthickness(μ)	80	80
Paperloading	Easyloading	Easyloading
Printingspeed(mm/s)	55	75
Paperdetection	Optosensor	Optosensor
Temperatredetection	Thermistor	Thermistor
Head-uporCover-opendetection	Combinedwithoptosensor	
Voltagerange(Logic/Head)	3-5.25/3-6.6	3-5.25/5.5-9.5
Dotresistance(Ohm)	116±10%	165±10%
Energyperdot(mJ)	0.12	0.11
Steppermotor(Ohm)	Bipolar(11)	Bipolar(19)
Weight(g)	95	95
Life/reliability	50km/100Mpulses	50km/100Mpulses
Operatingtemperature(C°)	0to50	0to50
Operatinghumidity(%)	20to85noncond.	20to85noncond.
Dimensions(WxDxHmm)	79,1x77,8x60	79,1x77,8x60