



# ELM 4000 Series

Mid-range printers for a variety of applications



High speed, easy loading  
thermal printers  
for heavy duty applications

## FEATURES

- 4 inch paper width.
- 5 and 24 Volts.
- Up to 50 mm/s printing speed.
- Easy loading paper.
- Label / thick paper path design.

## APPLICATIONS

- Portable printers and terminals.
- Label printers.
- Cash registers.
- Fiscal printers.
- Measuring instruments and analyzers.
- POS (point of sale).
- ATM machines.
- Data terminal devices.
- Kiosks, parking meters.
- Medical equipments.
- Weighing machines, scales.
- Ticketing.



▶ OTHER APS PRODUCTS



▶ PATENTED COVER EASY OPENING SYSTEM

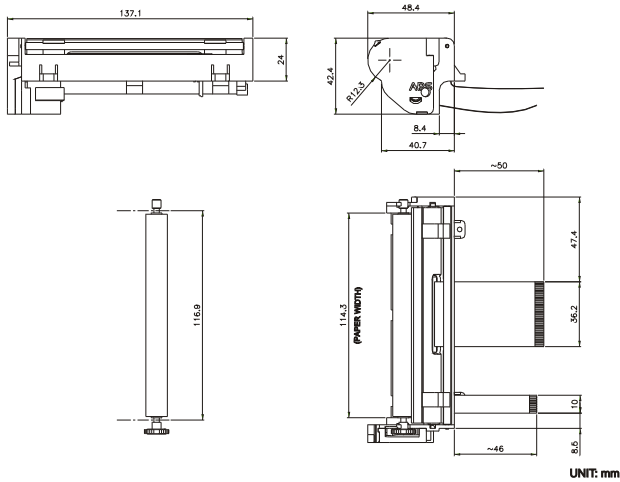


▶ PAPER



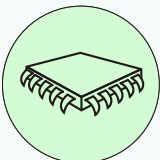
114 mm

ELM4000

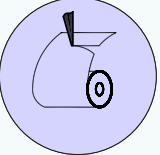


▶ OPTIONS

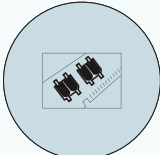
CHIP SET



EASY LOADING CUTTER



DOUBLE OPTO



SPECIFICATIONS	ELM4032	ELM4071	ELM4241
Print method	Thermal	Thermal	Thermal
Number of dots	832	832	864
Resolutions (dots/mm)	8	8	8
Printing width (mm)	104	104	108
Paper width (mm)	114	114	114
Max. paper thickness (μ)	80	80	80
Paper loading	Easy loading	Easy loading	Easy loading
Printing speed (mm/s)	35	50	50
Paper detection	Opto sensor	Opto sensor	Opto sensor
Temperature detection	Thermistor	Thermistor	Thermistor
Head-up or Cover-open detection	Combined with opto sensor		
Voltage range (Logic/Head)	2.7-5.25 / 3-7.2	2.7-5.25 / 5-8.5	5 ± 5% / 18-26.5
Dot resistance (Ohm)	123 ± 4%	176 ± 4%	1500 ± 4%
Energy per dot (mJ)	0.15	0.13	0.25
Stepper motor (Ohm)	Bipolar (12)	Bipolar (12)	Bipolar (132)
Weight (g)	140	140	140
Life/reliability	50km/100M pulses	50km/100M pulses	50km/100M pulses
Operating temperature (C°)	0 to 50	0 to 50	0 to 50
Operating humidity (%)	20 to 85 non cond.	20 to 85 non cond.	20 to 85 non cond.
Dimensions (WxDxH mm)	137x48x42	137x48x42	137x48x42