



DS two station printer Series

Standard Thermal Printer for Receipts



The most complete line of
two station (Receipt & Journal)
thermal printers
for any ECR applications

FEATURES

- 5V and 24V double station thermal mechanisms.
- Most compact solution on the market.
- Low noise.
- Integrated rewinder.
- Easy removal of journal paper.

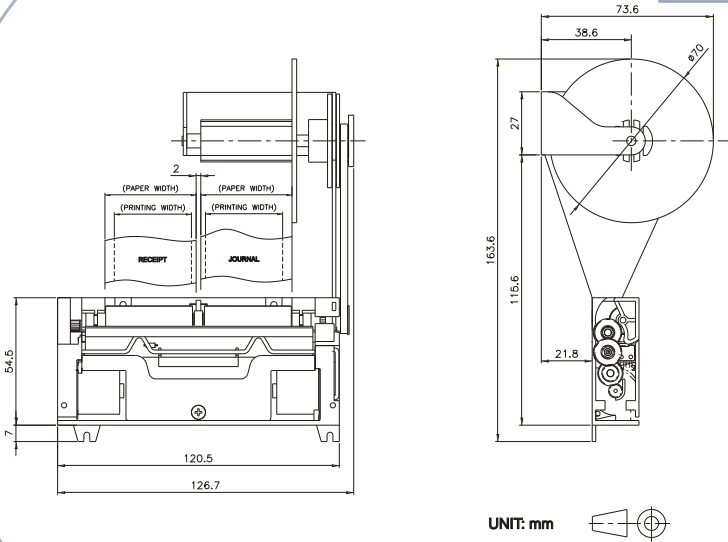
APPLICATIONS

- Cash registers.
- Fiscal printers.



Dimensions referred only to:

CP305-DS CP324K-DS CP324-HDS



PAPER



- 2x29 mm
- 2x32 mm
- 2x39 mm
- 2x40 mm
- 2x56 mm
- 72+40 mm

OTHER APS PRODUCTS



TWO PAPER SIZE FOR RECEIPT AND JOURNAL



SPECIFICATIONS

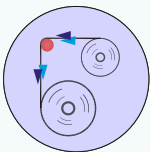
	CP296-DS	CP290-DS	CP305-DS	CP324K-DS
Print method	Thermal	Thermal	Thermal	Thermal
Number of dots	384	432	576	576
Resolutions (dots/mm)	8	8	8	8
Printing width (mm)	56	54	2x33	2x33
Paper width (mm)	2X29 or 2x32	2X29 or 2x32	2x39	2x39
Max. paper thickness (μ)	80	80	80	80
Paper loading	Automatic	Automatic	Automatic	Automatic
Printing speed (mm/s)	80	75	50	60
Paper detection	1 Double opto sensor	2 Opto sensors	2 Opto sensors	2 Opto sensors
Temperature detection	Thermistor (option)	Thermistor	Thermistor	Thermistor
Head-up or Cover-open detection	Switch	Switch	Switch	Switch
Voltage range (Logic/Head)	5 ± 5% / 4.2-8.5	5 ± 5% / 18-26.5	5 ± 5% / 4.2-8.5	5 ± 5% / 18-26.5
Dot resistance (Ohm)	142 ± 4%	1500 ± 3%	142 ± 4%	1500 ± 10%
Energy per dot (mJ)	0.36	0.25	0.36	0.25
Stepper motor (Ohm)	Bipolar (12)	Bipolar (132)	Bipolar (12)	Bipolar (132)
Weight (g) with rewriter	210	210	270	270
Life/reliability	50km/100M pulses	50km/100M pulses	50km/100M pulses	50km/100M pulses
Operating temperature (C°)	0 to 50	0 to 50	0 to 50	0 to 50
Operating humidity (%)	20 to 85 non cond.	20 to 85 non cond.	20 to 85 non cond.	20 to 85 non cond.
Dimensions (WxDxH mm)	91x54.5x20	91x54.5x20	120x54.5x20	120x54.5x20

SPECIFICATIONS

	CP324-HDS	CP405-DS	CP424-DS
Print method	Thermal	Thermal	Thermal
Number of dots	640	832	864
Resolutions (dots/mm)	8	8	8
Printing width (mm)	2x36	48+48 or 64+32	50+50 or 66+34
Paper width (mm)	2x40	56+56 or 72+40	56+56 or 72+40
Max. paper thickness (μ)	80	80	80
Paper loading	Automatic	Automatic	Automatic
Printing speed (mm/s)	80	50	50
Paper detection	2 Opto sensors	2 Opto sensors	2 Opto sensors
Temperature detection	Thermistor	Thermistor	Thermistor
Head-up or Cover-open detection	Switch	Switch	Switch
Voltage range (Logic/Head)	5 ± 5% / 18-26.5	2.7-5.25 / 3-7.2	5 ± 5% / 18-26.5
Dot resistance (Ohm)	800 ± 3%	123 ± 4%	1500 ± 10%
Energy per dot (mJ)	0.16	0.15	0.29
Stepper motor (Ohm)	Bipolar (132)	Bipolar (12)	Bipolar (132)
Weight (g) with rewriter	270	330	330
Life/reliability	50km/100M pulses	50km/100M pulses	50km/100M pulses
Operating temperature (C°)	0 to 50	0 to 50	0 to 50
Operating humidity (%)	20 to 85 non cond.	20 to 85 non cond.	20 to 85 non cond.
Dimensions (WxDxH mm)	120x54.5x20	156x63x27	156x63x27

OPTIONS

REWINDER



DOUBLE OPTO

