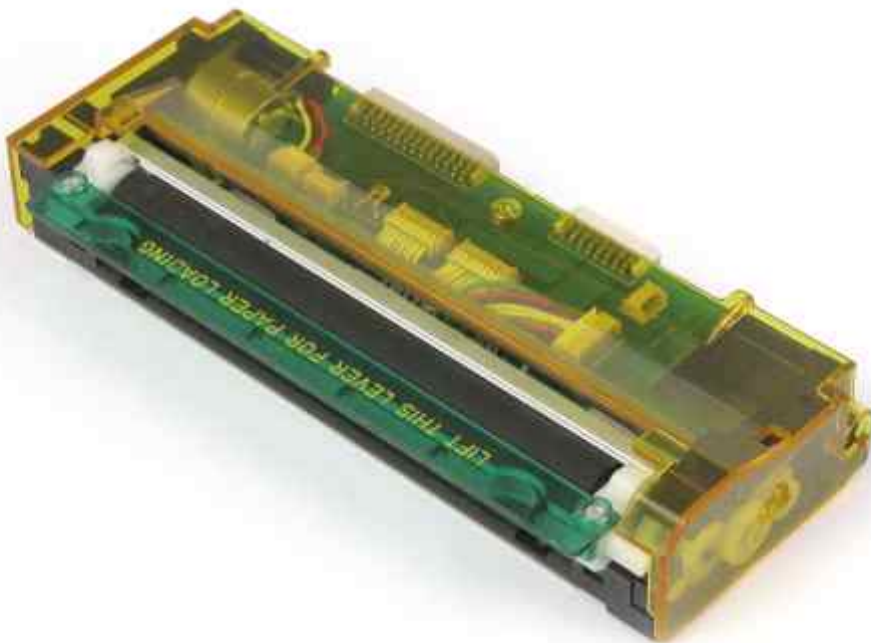




CP 400 Series

Mid-range printer mechanisms for a variety of applications



FEATURES

- 5 and 24V printers.
- Easy loading paper due to wide head up lever.
- Low noise.
- No loose wiring - double flex connectors house all wires.

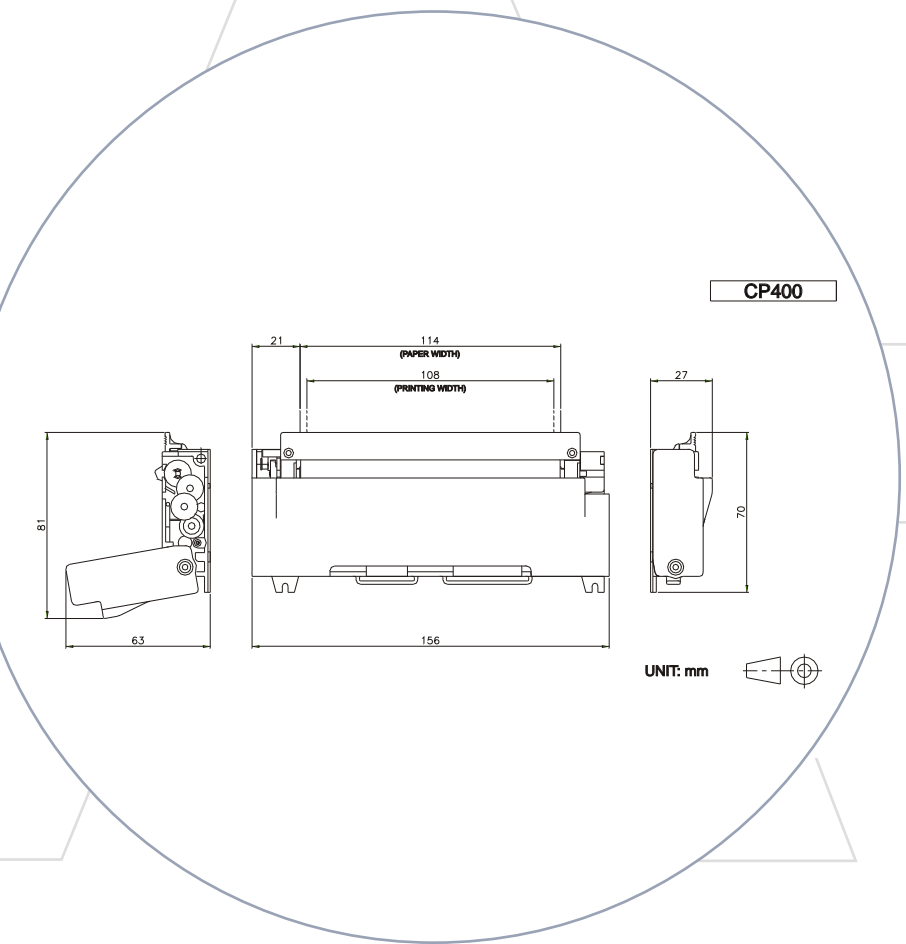
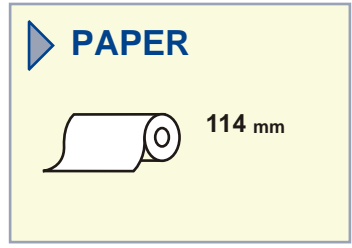
APPLICATIONS

- Cash registers.
- Fiscal printers.
- Measuring instruments and analyzers.
- POS (point of sale).
- ATM machines.
- Kiosks, parking meters.
- Medical equipments.
- Taxi meters.

The complete thermal printing offering in 4" paper width with the right price/performance combination



CP 400 Series



OPTIONS

GUILLOTINE AND ROTATIVE CUTTER

SPECIFICATIONS	CP405	CP424
Print method	Thermal	Thermal
Number of dots	832	864
Resolutions (dots/mm)	8	8
Printing width (mm)	104	108
Paper width (mm)	114	114
Max. paper thickness (μ)	80	80
Paper loading	Automatic	Automatic
Printing speed (mm/s)	50	50
Paper detection	Opto sensor	Opto sensor
Temperature detection	Thermistor	Thermistor
Head-up or Cover-open detection	Switch	Switch
Voltage range (Logic/Head)	2.7-5.25 / 3-7.2	5 ± 5% / 18-26.5
Dot resistance (Ohm)	123 ± 4%	1500 ± 10%
Energy per dot (mJ)	0.15	0.29
Stepper motor (Ohm)	Bipolar (12)	Bipolar (132)
Weight (g)	260	260
Life/reliability	50km/100M pulses	50km/100M pulses
Operating temperature (C°)	0 to 50	0 to 50
Operating humidity (%)	20 to 85 non cond.	20 to 85 non cond.
Dimensions (WxDxH mm)	156x63x27	156x63x27